



# INSTALLATION INSTRUCTIONS

Accessory

**PLOW MOUNT KIT  
P/N OSL73-HL3-A00**

Application

**SXS700M2/M4**

Publication No.

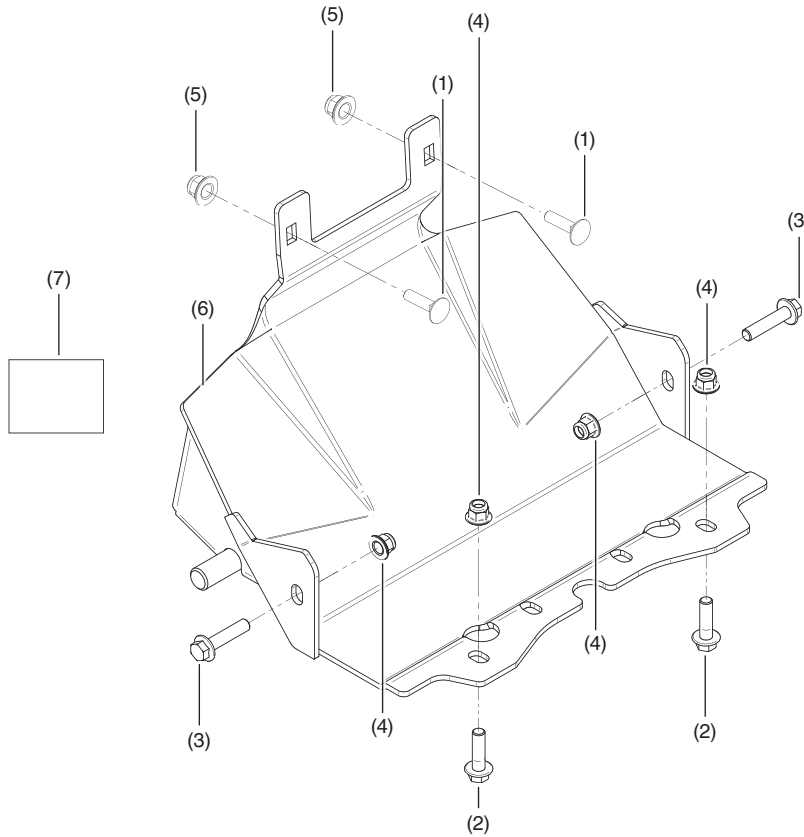
**MII 17775**

Issue Date

**July 2022**

**Honda Dealer: Please give a copy of these instructions to your customer.**

## PARTS LIST



No.	Description	Qty
(1)	10 x 1.5mm x 40 mm carriage bolt	2
(2)	10 x 35 mm flange bolt	2
(3)	10 x 45 mm flange bolt	2
(4)	10 mm x 1.25 mm flange nut	4
(5)	10 mm x 1.5 mm flange nut	2
(6)	Mount plate assembly	1
(7)	Installation Instructions URL	1

## TORQUE CHART

Item	N-m	kgf-m	lbf-ft
10 x 35 mm flange bolt	49	5	36
10 x 45 mm flange bolt	49	5	36
10 x 40 mm carriage bolt	48	4.8	35

## TOOLS REQUIRED

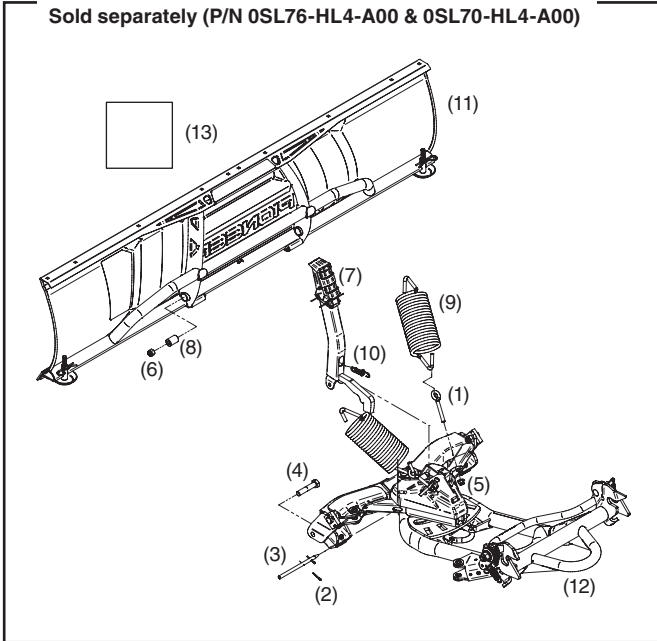
Socket (14 mm)                      Torque wrench  
Ratchet

## REQUIRED ACCESSORIES

The items below are required for the installation of this accessory.

### Plow Blade & Plow Push Tube

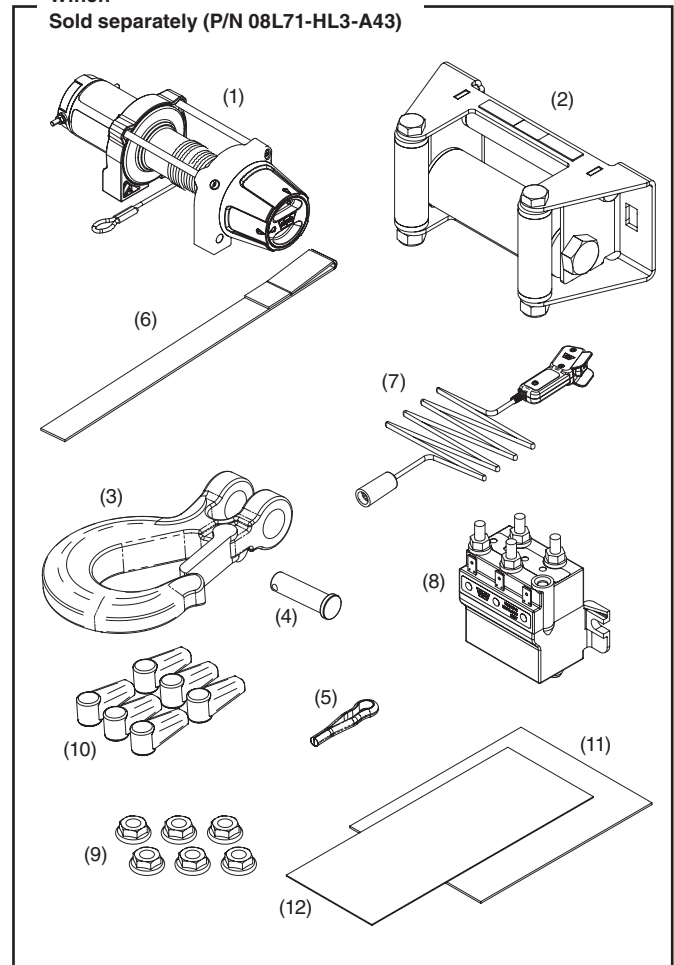
Sold separately (P/N 0SL76-HL4-A00 & 0SL70-HL4-A00)



No.	Description	Qty
(1)	Eye bolt	2
(2)	Cotter pin	2
(3)	Handle pivot	1
(4)	12 x 60 mm bolt	2
(5)	8 mm nylon nut	2
(6)	12 mm nylon nut	2
(7)	Handle	1
(8)	Blade pivot sleeve (SXS)	2
(9)	Large spring	2
(10)	Handle spring	1
(11)	Plow blade (SXS)	1
(12)	Plow push tube (SXS)	1
(13)	Installation Instructions URL	1

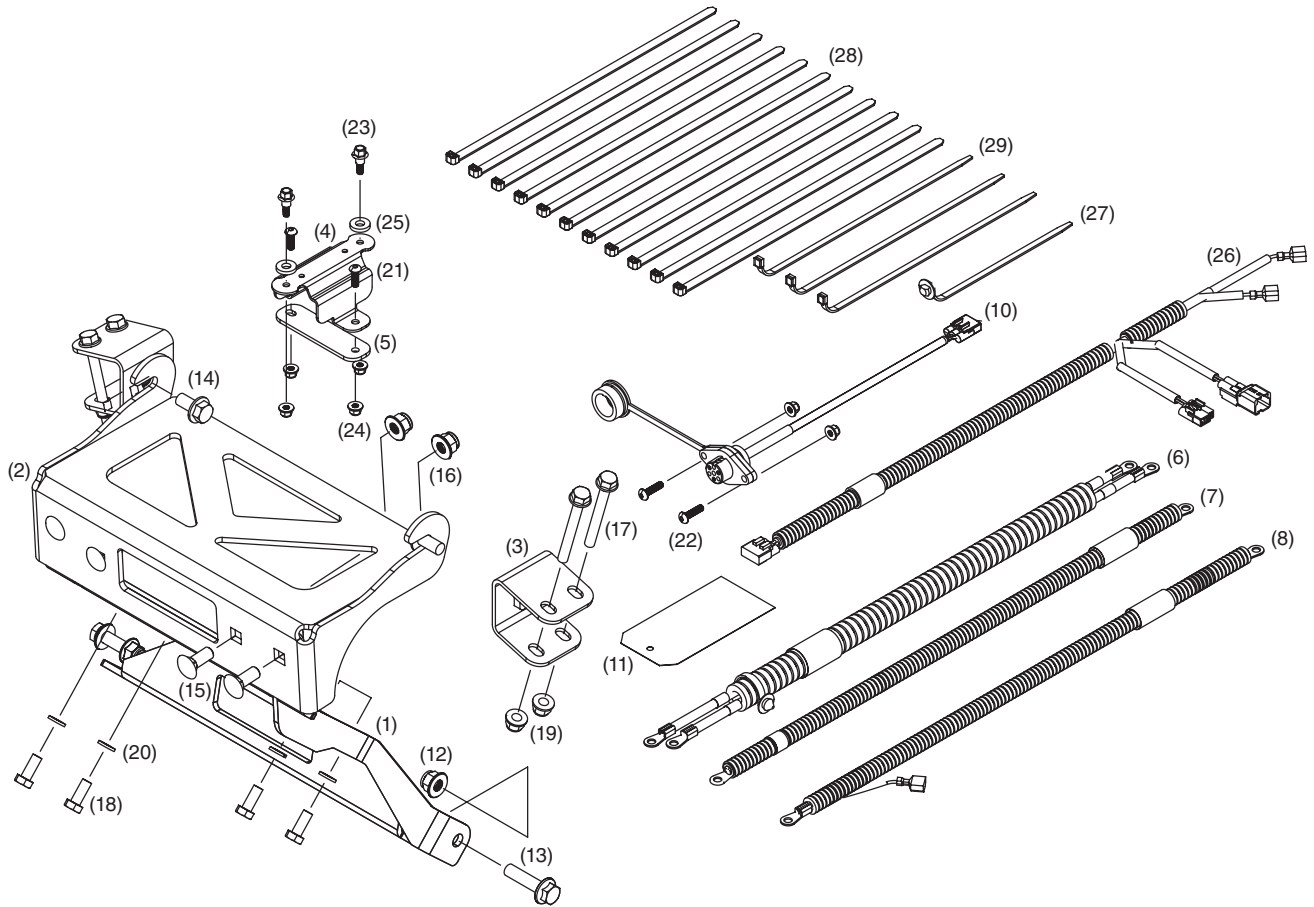
### Winch

Sold separately (P/N 08L71-HL3-A43)



No.	Description	Qty
(1)	Winch	1
(2)	Roller fairlead	1
(3)	Hook	1
(4)	Clevis pin	1
(5)	Cotter pin	1
(6)	Strap	1
(7)	Remote control switch	1
(8)	Contactor	1
(9)	6 mm flange nut	6
(10)	Terminal boot	6
(11)	VRX product literature	1
(12)	Conform CE declaration	1

**Winch Mount Kit**  
**Sold separately (P/N 08L70-HL3-601)**

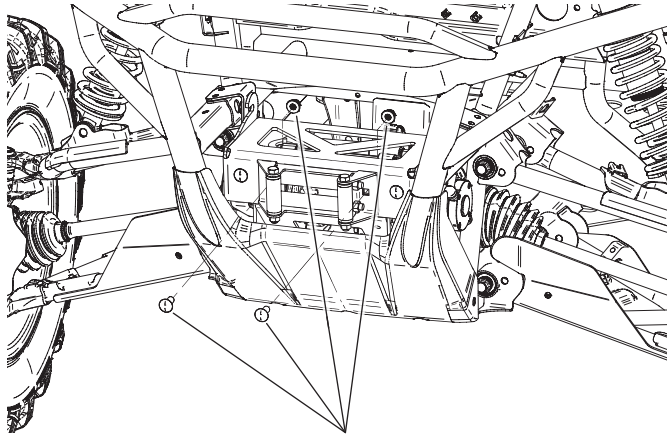


No.	Description	Qty
(1)	Winch bracket	1
(2)	Fairlead bracket	1
(3)	Fairlead C-bracket	2
(4)	Contacter bracket	1
(5)	Rectangular bracket	1
(6)	Blue and yellow cable	1
(7)	Red cable	1
(8)	Black cable	1
(10)	Remote socket	1
(11)	Warning tag	1
(12)	10 × 1.25 mm lock nut	2
(13)	10 × 40 mm flange bolt	2
(14)	10 × 20 mm flange bolt	2
(15)	10 × 25 mm carriage bolt	4
(16)	10 × 1.5 mm lock nut	4
(17)	8 × 70 mm flange bolt	4
(18)	8 × 20 mm bolt	4
(19)	8 mm flange nut	4

No.	Description	Qty
(20)	8 mm lock washer	4
(21)	5 × 16 mm socket bolt	2
(22)	5 × 20 mm socket bolt	2
(23)	5 mm flange bolt	2
(24)	5 mm lock nut	6
(25)	Rubber washer	2
(26)	Winch sub harness	1
(27)	Band clip	1
(28)	Wire tie long	11
(29)	Wire tie short	3

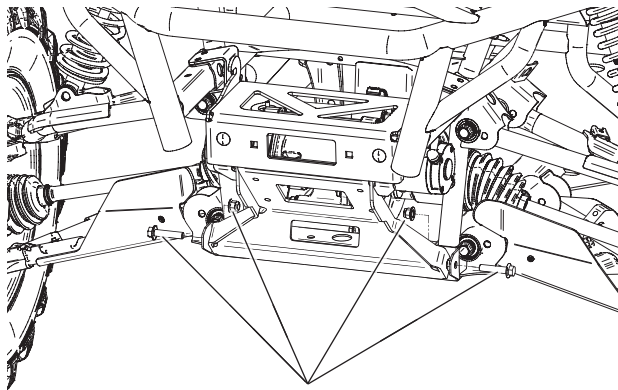
## INSTALLATION

1. Install all required accessories before starting installation.
2. Remove original hardware from the winch fairlead.



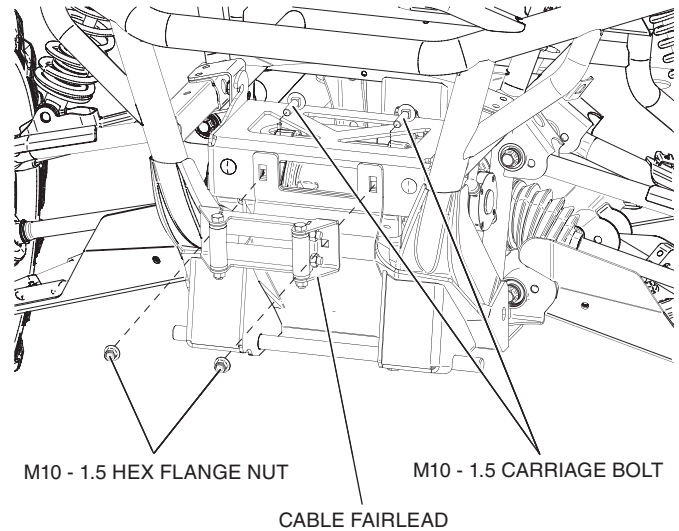
ORIGINAL HARDWARE  
(Save).

3. Remove original hardware from the winch mount plate and bumper, on each side.

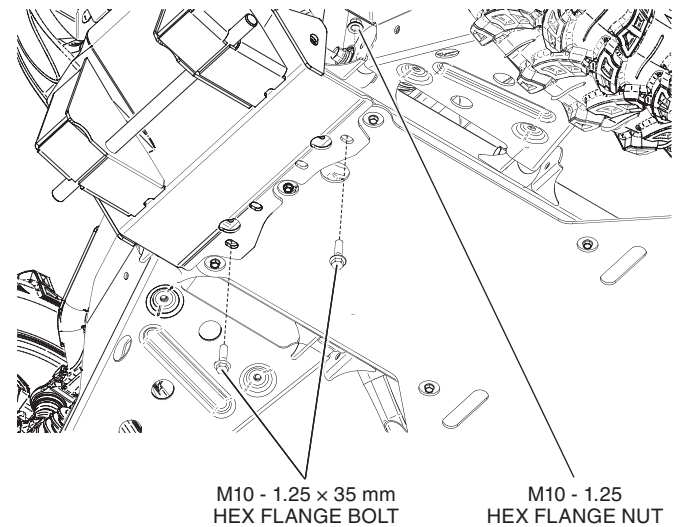


ORIGINAL HARDWARE  
(Save).

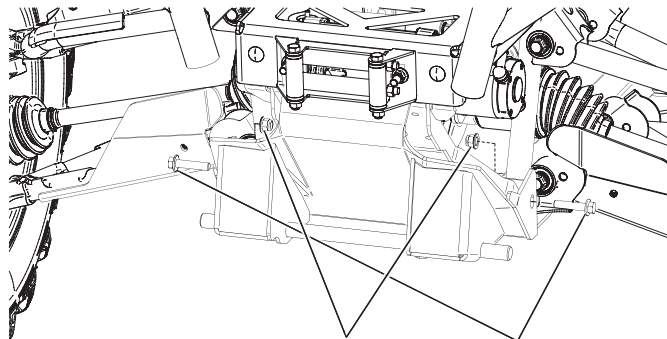
4. Install the mount plate (item 6) and the cable fairlead on the vehicle using two M10 - 1.5 x 40 mm carriage bolts (item 1) and two M10 - 1.5 hex nylon flange nuts (item 5). Hand tighten the two bolts.



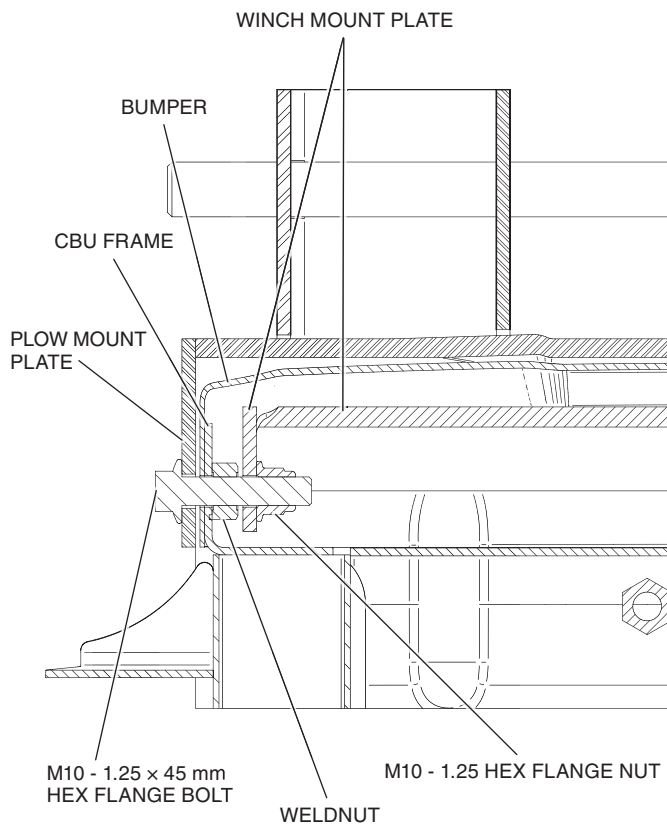
5. While holding the plow mount plate up against the bumper and the frame, install two bolts M10 - 1.25 x 35 mm (item 2) into the existing holes on the mounting plate and the CBU frame. Secure the two bolts with two M10 - 1.25 hexagonal flange nut (item 4). Hand tighten the two bolts.



6. Install the two bolts M10 - 1.25 × 45 mm (item 3), one on each side, into the existing holes passing through the plow mount plate, the bumper, the frame, the weld nut and the winch mount plate. Secure the two bolts with two M10 - 1.25 hexagonal flange nut (item 4). Hand tighten the two bolts.



M10 - 1.25 HEX FLANGE NUT      M10 - 1.25 × 45 mm  
HEX FLANGE BOLT



7. Tighten all the bolts to the values specified in the TORQUE CHART by following this sequence:
  - Two M10 - 1.25 × 45 mm bolts from step 6
  - Two M10 - 1.25 flanged nuts from step 6
  - Two M10-1.25 × 35 mm bolts and flange nuts from step 5
  - Two M10 - 1.5 flange nuts from step 4

